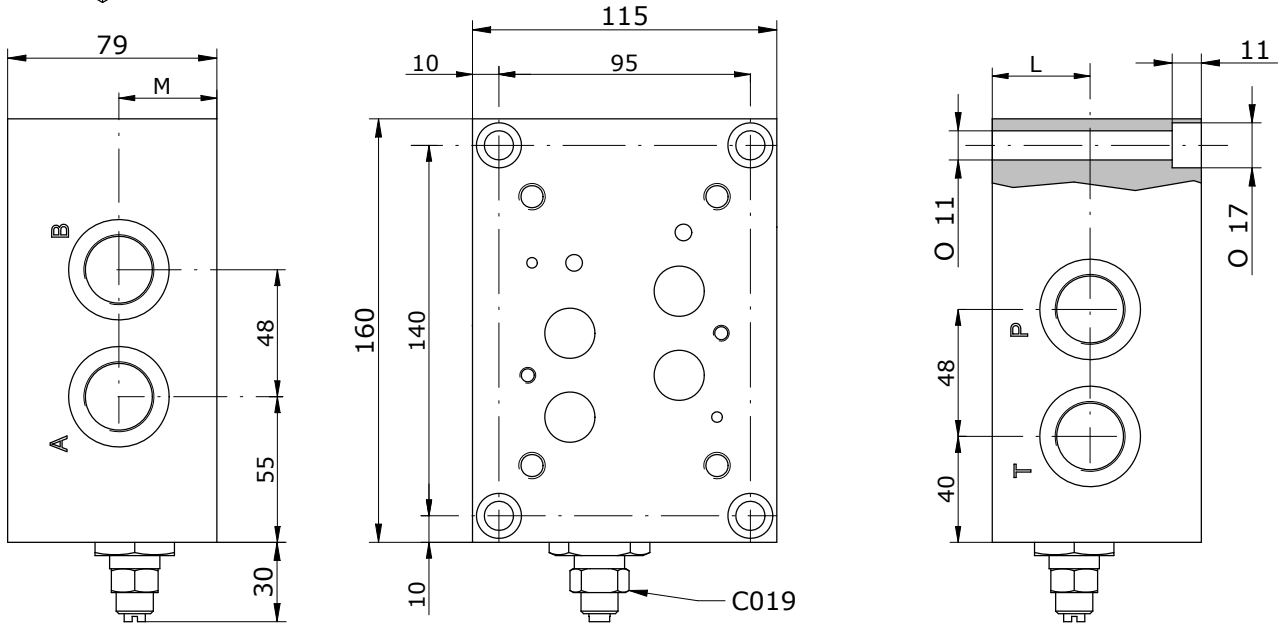
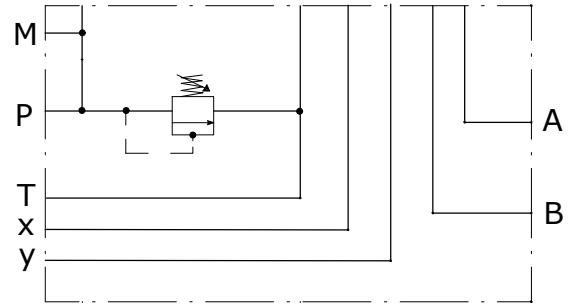
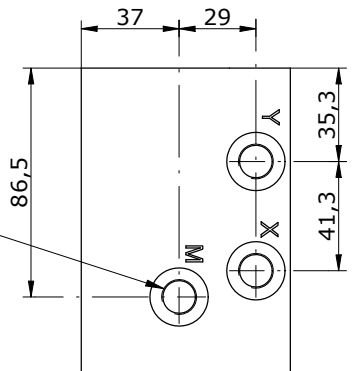


Hydraulic diagram



n°3 BSP1/4"G



ES 16 - 02 - 114 - 1 - 2

S = STEEL

114 = BSP 1.1/4G

1 = WITH RELIEF VALVE

2 = 200-350 BAR